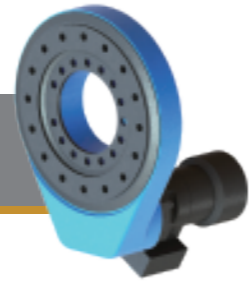


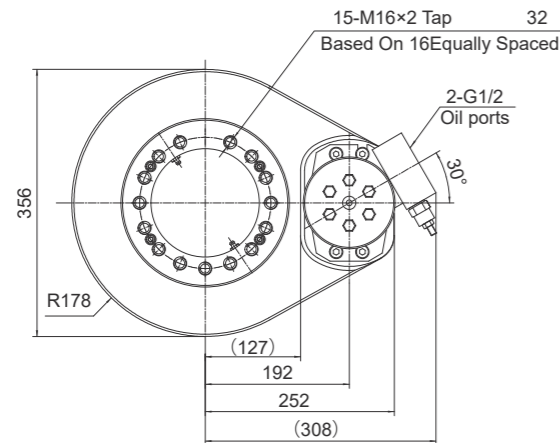
SLEWING DRIVE

HESPN-0223



UNITS: mm
1inch=25.4mm
Weight:53kg

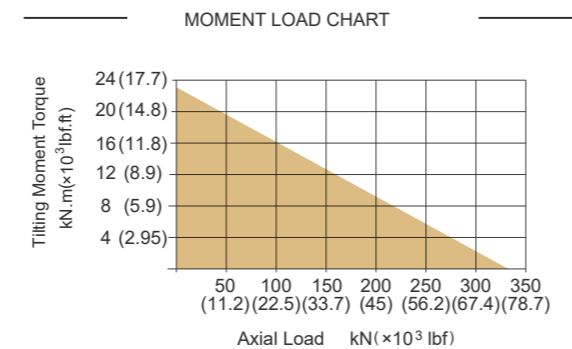
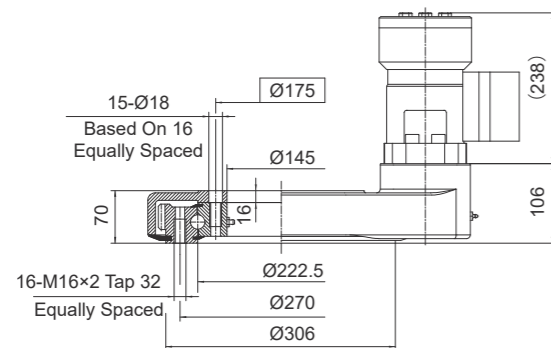
FRONT VIEW



Module	4
GearRatio	5.33
Static Radial Rating	135 kN
Static Axial Rating	338 kN
Dynamic Radial Rating	71 kN
Dynamic Axial Rating	81 kN
Rated Torque	3216 N.m
Rated Speed	5.06 rpm

Motor Displacement (ml/r)	625
Flow (lpm)	20
Pressure (MPa)	8.5
Torque (N.m)	710
Speed (rpm)	27

SIDE VIEW



SPECIAL DESIGN BASE ON CUSTOMER'S REQUIREMENT

- NOTICE**
- Please be sure to remain under the curve.
 - This drawing is just for your reference.
 - This drawing is subject to change due to new design without prior notice.
 - Please contact the technical department for dimensions and performance parameters of the drives.

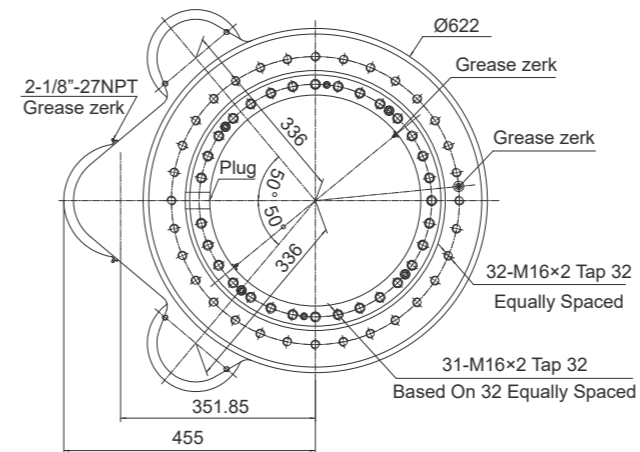
SLEWING DRIVE

HESPH-0480

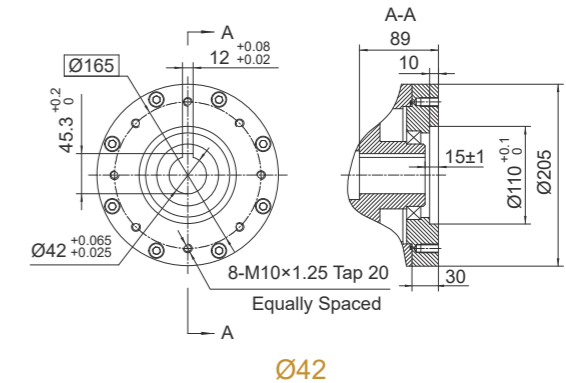


UNITS: mm
1inch=25.4mm
Weight:131kg

FRONT VIEW

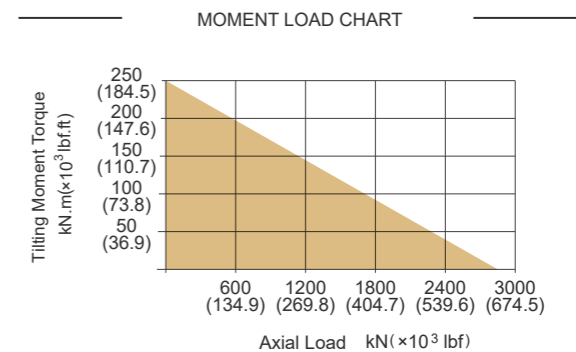
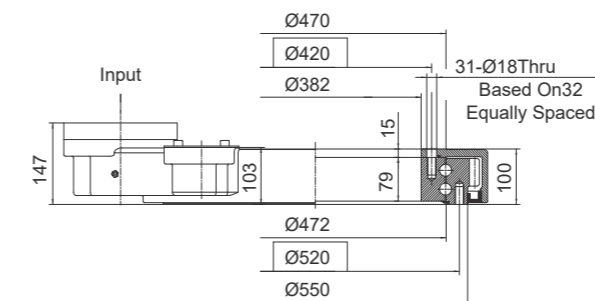


INPUT



Module	8
GearRatio	4.8
Radial Load (Max.)	1000 kN
Axial Load (Max.)	2800 kN
Output Torque (Max.)	18.5 kN.m
Tilting moment (Max.)	250 kN.m
Number of teeth (Wheel)	72
Number of teeth (Pinion)	15

SIDE VIEW



SPECIAL DESIGN BASE ON CUSTOMER'S REQUIREMENT

- NOTICE**
- Please be sure to remain under the curve.
 - This drawing is just for your reference.
 - This drawing is subject to change due to new design without prior notice.
 - Please contact the technical department for dimensions and performance parameters of the drives.